

**TEFS
S
TUR**



**PANEL
INSTALLATION
GUIDES**



Please call us if you have any questions: 1-800-883-7005

Tekstur Installation – MFTape System for Blind Fastening

5/16” & 8mm Panel Thicknesses

MFTAPE BRACKET

- Price: \$7 - \$10 LFT
- 6’ & 12’ Lengths
- Mount To Back of 5/16” or 8MM Panel

We recommend the Monarch-Z MFTape system for our 5/16” or 8mm thick Tekstur panels. The MFTape-Z mounts to the back of the panel with using the 3M’s, VHB Architectural Panel tape. This is an industrial strength tape that is strong enough to replace fasteners (welds, rivets, screws) or liquid adhesives. The tape comes pre-installed on the back of the Z-clip. We recommend running the MFTape Z-Clip across the entire width of the panel with no more than 24” of space between each clip, with your top & bottom clip spaced in from the edge.

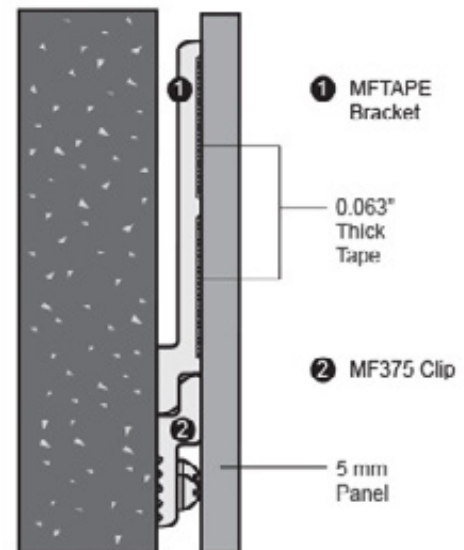
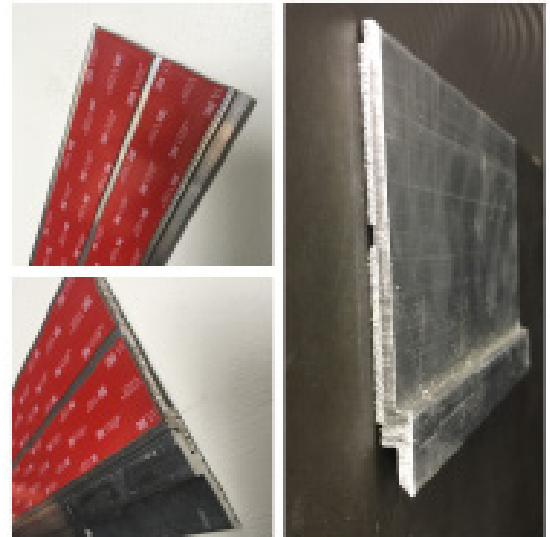
You will need to clean the back of the panel where you apply the MFTape Z-clip with 3M Primer 94. (see link below). This is basically a 50/50 mixture of isopropyl alcohol and water. Apply the primer to the area where you will mount the Z-clip. The primer acts as a cleaning agent and prepares your surface for the tape adhesive. Doing this will increase the bonding strength of the tape tenfold. Peel and stick the MFTape -Z to the area within 5 minutes of wiping the primer. Finish the application by applying pressure to the back of a Z-clip using a J-Roller or other pressure transferring tool.

Link to Monarch Metal:

<http://www.monarchmetal.com/products/phenolic-glass-glazing-panel-hanging-system/>

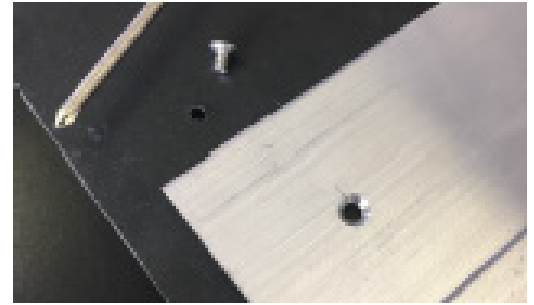
Link to 3M Primer 94:

<https://www.amazon.com/3M-Primer-Pint-Wrapping-Application/dp/B0088P1LNY/>

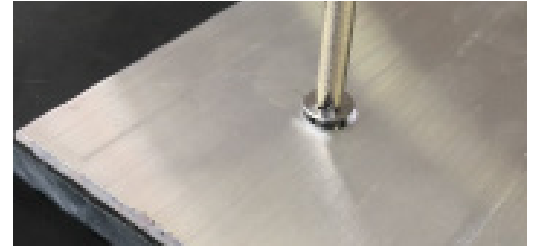


ADDING A MECHANICAL FASTENER TO MFTAPE BRACKET:

It is possible to add a mechanical fastener through the MFTAPE Z-Clip if desired. With our 5/16" or 8mm thick panels, pilot and countersink a 11/64" hole through the Z-clip into the back of the panel and use a 10-32 x 5/16" flat head screw to fasten the Z-Clip to the panel. Hand tighten the screws with a screw driver.



Because the tight tolerances associated with drilling into a thin panel, we suggest using a Drill Stop Collar to prevent drilling through to the front face of the panel.



See link below to the screws you can use from McMaster Carr: <https://www.mcmaster.com/#ms-51960-62-machine-screws/>

MF375 RAIL

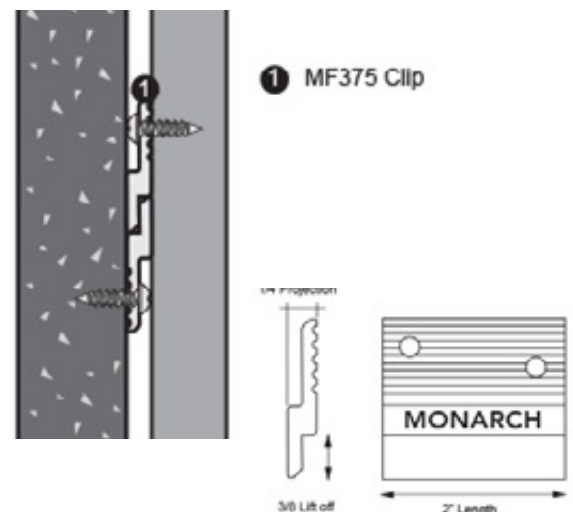
- Price: \$1.50 - \$2.50 per LFT
- 6' & 12' Lengths
- Mount Rails To Wall

Install the MF375 rails to the wall using the appropriate mechanical fastener. Clips should be mounted into to a structural component of the wall ie, studs or structural wood or plywood sub-wall every 18"-24".



**Do not mount the rails to drywall. Rails must be mechanically fastened through the drywall to a structural substrate or stud to prevent the clips from pulling off the wall.*

The success of your installation with regards to alignment and fit & finish relies heavily on the preparation of the sub-wall and/or installation of the MF375 wall mounted clip. If these clips are not plumb and level any difference in tolerance may translate to the installed panel surface. Take care to prepare your sub-wall, shimming or fur out where necessary to insure your clips are consistent, plumb and level to each other.

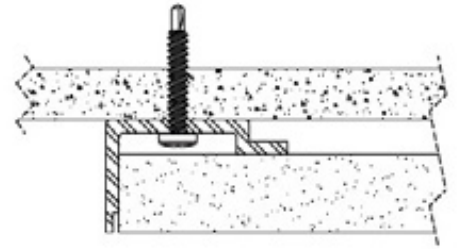


TRIM & EDGE DETAILS

- Price: \$8 - \$10 per LFT
- 6' & 12' Lengths

If you need an outside trim detail, you can use Monarch's EPS-H039-N aluminum trim component. These will work on both vertical and horizontal edges. Visit the link below for installation Instructions and specifications.

<http://www.monarchmetal.com/wp-content/uploads/Monarch-Easy-Panel-System-Instructions.pdf>



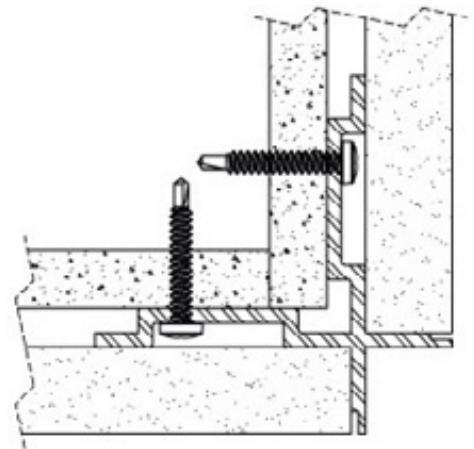
Edge Trim
EPS-H039-N (PDF/DWG)

INSIDE/OUTSIDE CORNERS

- Price: \$6 - \$8 per LFT

If you need outside and inside corner detail, you can use Monarch's EPS-OC039-N aluminum trim component. Visit the link below for installation Instructions and specifications.

<http://www.monarchmetal.com/wp-content/uploads/Monarch-Easy-Panel-System-Instructions.pdf>



Edge Trim
EPS-OC039-N (PDF/DWG)



PANEL SEQUENCING

The patterns on all Tekstur panels are sequenced along the 4' width. We recommend an 1/8" - 3/16" spacing between panels to allow for expansion and contraction.

Tekstur Installation – Direct to Wall**

1/8”-5/16” & 4mm-8mm Panel Thicknesses

Supplies

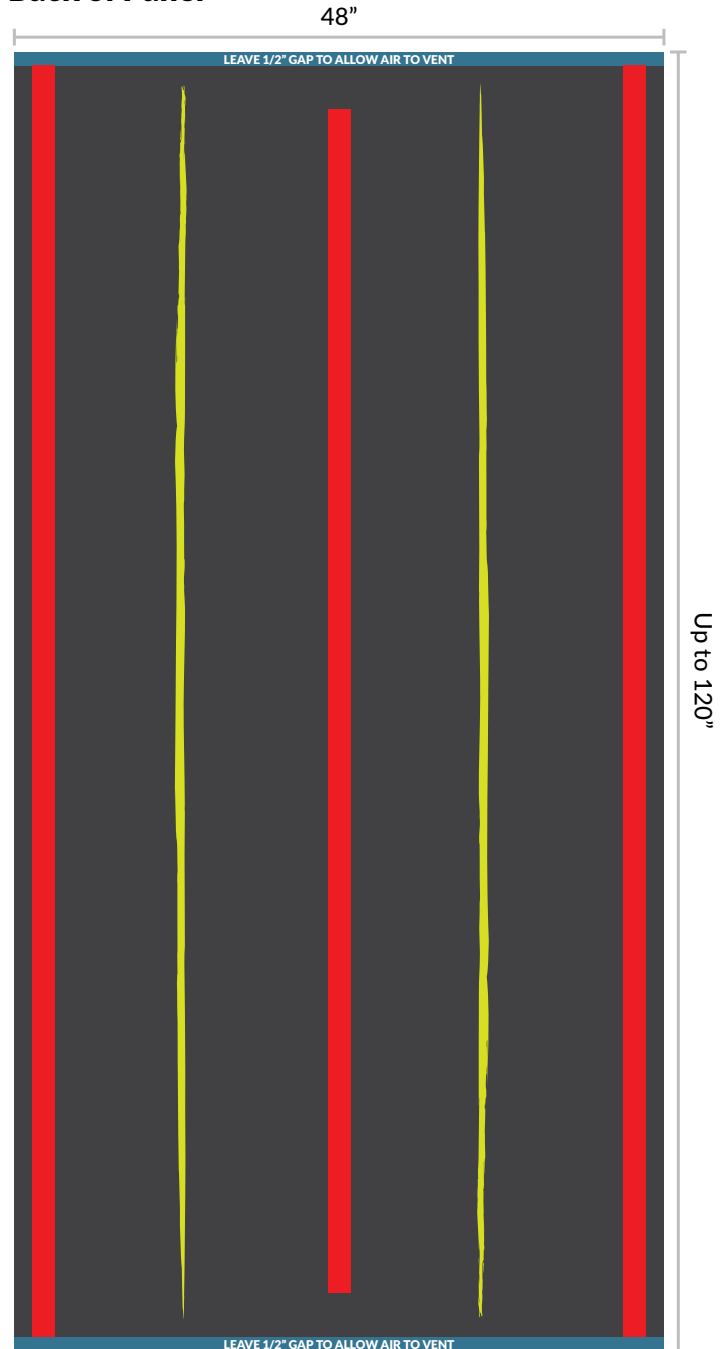
3M VHB TAPE (3941) or similar
Loctite® PL Premium

Instructions

- Wall surface needs to be level 5 finish and primed or primed & painted, do not apply to unfinished drywall.
- Clean back of panel with damp rag to remove dust or surface residue
- Run strips of tape vertically, 1” in from each edge & 1 in the middle. On a full width panel this will be approx. 24” on center
- Make sure to stop the tape ½” from the top & bottom of the panel.
- Before applying Tape, prime the surface of the panel in which you are applying the tape using 3M Primer 94. Applying the primer will increase the strength of the bond tenfold.
- Apply the tape and use a J-Roller or other object to apply pressure to the tape.
- Using a caulk gun, apply a thick bead of Loctite® PL Premium, vertically, in between the vertical strips of tape
- Peel the tape, position the panel and apply the panel to the wall. Use a clean J-Roller to apply pressure evenly across the entire surface area of the panel.

Can be used for curved walls!

Back of Panel



****NOTE:** The direct-to-wall method is effective but should be performed by skilled installers. This method only allows one chance at getting the panels placed accurately. Please have your installer contact one of our product specialists to discuss your installation details or to receive guidance with their installation.

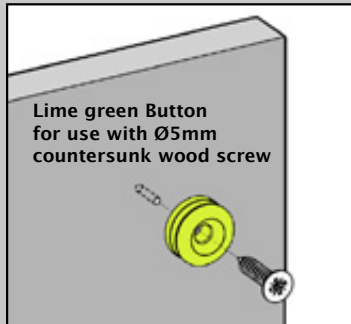
Tekstur Installation – Button-Fix™ System

5/16” & Thicker Panel Thicknesses

The button

Choose the Button to suit the screw type that works best with your panel material.

Use lime green Buttons with Ø5mm countersunk wood screws. Use orange Buttons with Ø6.2mm Euro screws (to fit Ø5mm pilot holes).



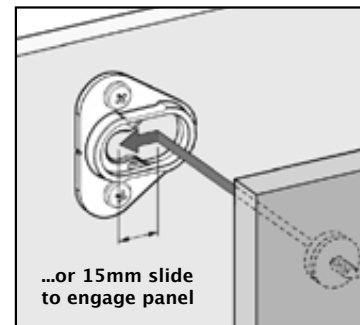
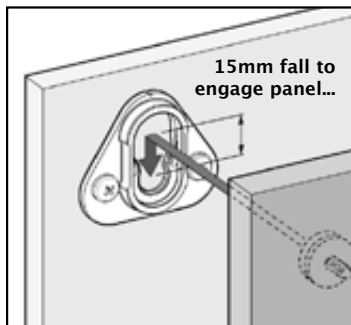
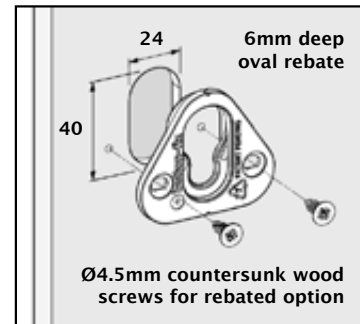
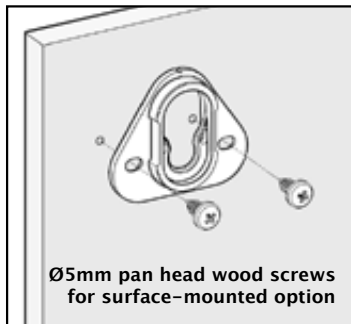
Type 1 fix

The Type 1 Fix connects parallel panels and is ideal for applications where strength and security are paramount.

Engage the Buttons in the Fixes and slide the panel down by 15mm until Button-fix goes 'click'. The Type 1 Fix can also be configured for sideways assembly.

When surface-mounted, the Type 1 Fix creates an 8mm gap between the two attaching panels.

Alternatively, you can rebate the Type 1 Fix, to reduce the gap between the two attaching panels to only 3mm.



Type 2 fix

The Type 2 Fix connects panels at 90° with a simple push/pull fit. It is ideal for applications where the emphasis is more on ease of fit and less on strength. Unlike Type 1, the Type 2 Fix does not require a 15mm drop-down engagement.

